

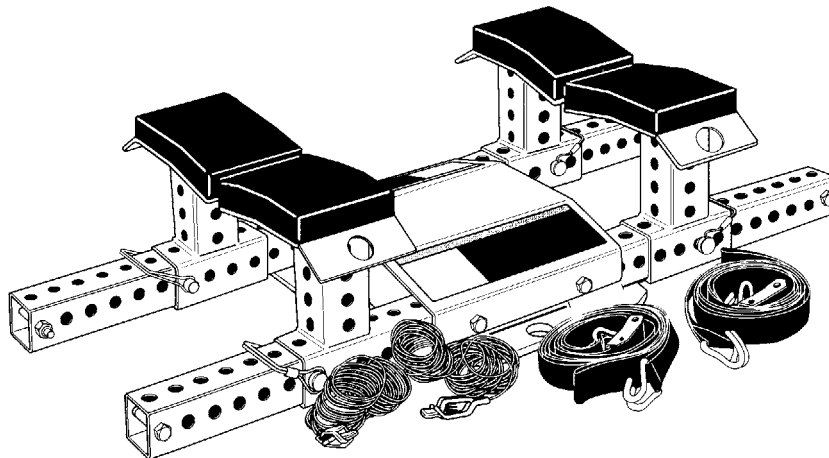
# Operating Instructions & Parts Manual



## Fuel Tank Adapter

Model Number  
40080

Capacity  
80 lb.



This is the safety alert symbol. It is used to alert you to potential personal injury hazards. Obey all safety messages that follow this symbol to avoid possible injury or death.

### **WARNING**

To avoid **crushing and related injuries**:



**NEVER** work on, under or around a load supported only by a hydraulic jack. **Immediately** transfer the load to an appropriate work station.

**SFA Companies**

<http://www.omegalift.com>

Read this manual and follow all the Safety Rules and Operating Instructions before using this product.

## SAFETY and GENERAL INFORMATION

**Save these instructions.** For your safety *read, understand, and follow* the information provided with and on this device before using. The owner and operator of this equipment shall have an understanding of it and safe operating procedures before attempting to use. The owner and operator shall be aware that use of this product requires special skills and knowledge pertaining to bonding and grounding of personnel and components. Instructions and safety information shall be conveyed in the operator's native language before use of this product is authorized. If any doubt exists as to the safe and proper use of this device, remove from service immediately.

**Inspect before each use.** Do not use if broken, bent, cracked, or damaged parts (including labels) are noted. Any ramp that appears damaged in any way, operates abnormally or is missing parts, shall be removed from service immediately. If you suspect that the ramp was subjected to a shock load (a load dropped suddenly, unexpectedly upon it), immediately discontinue use until the ramp has been checked by a factory authorized service center (contact distributor or manufacturer for list of authorized service centers). It is recommended that an annual inspection be done by qualified personnel. Labels and owner's manuals are available from manufacturer.

## PRODUCT DESCRIPTION

Omega Fuel Tank Adapter is designed for fuel tank removal and fuel tank installation. This Fuel Tank Adapter must **ONLY** be secured to Omega transmission jack model 41000 and 41001. **It is designed for use with passenger cars and light trucks only.** The Fuel Tank Adapter should only be used on METAL FUEL TANKS!

## SPECIFICATIONS

Model	Capacity	Max. Fuel Tank Size	Product Size (L x W x H)	Net Weight
40080	80 lb.	40 gal.	32" x 15-3/8" x 9-1/4"	49 lb.

**⚠ Risk of Explosion!** Use of this product requires special skills and knowledge pertaining to grounding and bonding of the components. Use **ONLY** on METAL FUEL TANKS!

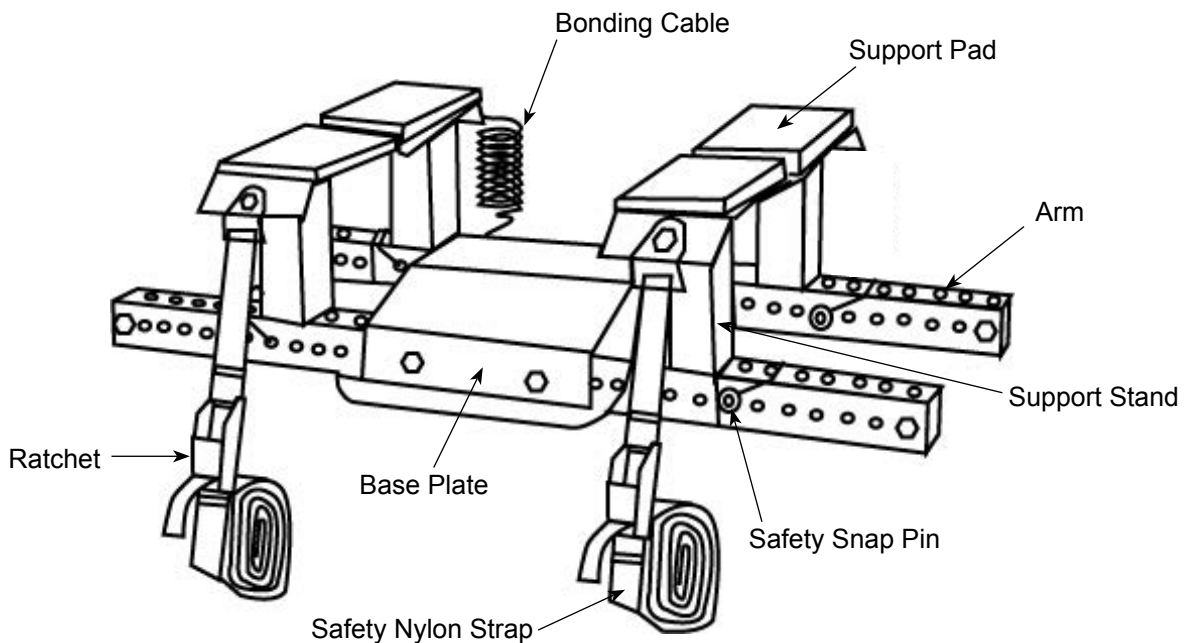


Figure 1 - Fuel Tank Adapter Components

## INSTALLATION (refer Figure 1 thru 5)

**Note:** Below instruction is illustrating the use of fuel tank adapter conjunction with Model 41000 and 41001.

Estimated Time: 30 minutes

Tools required: Drill, 7/16" drill bit, 17mm & 19mm wrenches.

1. Remove saddle from the transmission jack.
2. Drill two 7/16" size holes on the saddle. Ensure the holes are 9 1/2" apart and, should be located equally away from the saddle edges about 1" (Refer figures 2 & 3 for location of holes).

**Note:** The integrity of your transmission jack should not be affected by these two holes as long as the instructions are followed. Omega will warrant its transmission jack original warranty for this specific fuel tank adapter installation.

3. Secure the fuel tank adapter to the saddle with two 3/8"-24x1 1/2" bolts, flat washers, lock washers and nuts provided (Figure 4).

(Refer to Figure 5 for below procedures)

4. Slide support stand (1) over one end of the two arms (2). Repeat procedure on other end of same arm; Slide support stand (3) over one end of the other arm. Repeat procedure on other end of same arm.
5. Secure each support stand by inserting snap pin (4) through the aligned holes on arm, snapping the latch over the end of pin as shown.
6. Insert the 3/8"-16 x 2 1/2" Bolt (5) through the last set of holes in arm and secure in place with washers, lockwasher and nut provided. Repeat for other three sides.
7. Secure both bonding cables (6) to the top side of frame base with 1/4"-20x1" bolt and nut provided.

**Note:** Remove paint from top and bottom of plate around the 1/4" diameter hole.

8. Bolt safety nylon strap (7) to support stand (3). Secure with 1/2"-13x1" bolt, washer, lockwasher and nut provided. Repeat procedure on other support stand.
9. The assembly is now ready to use.

Fig. 2

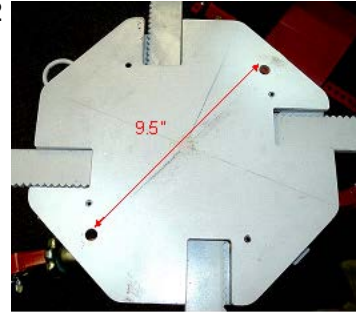


Fig. 3

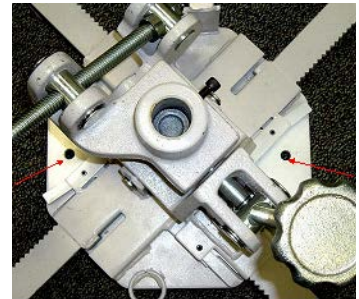


Fig. 4

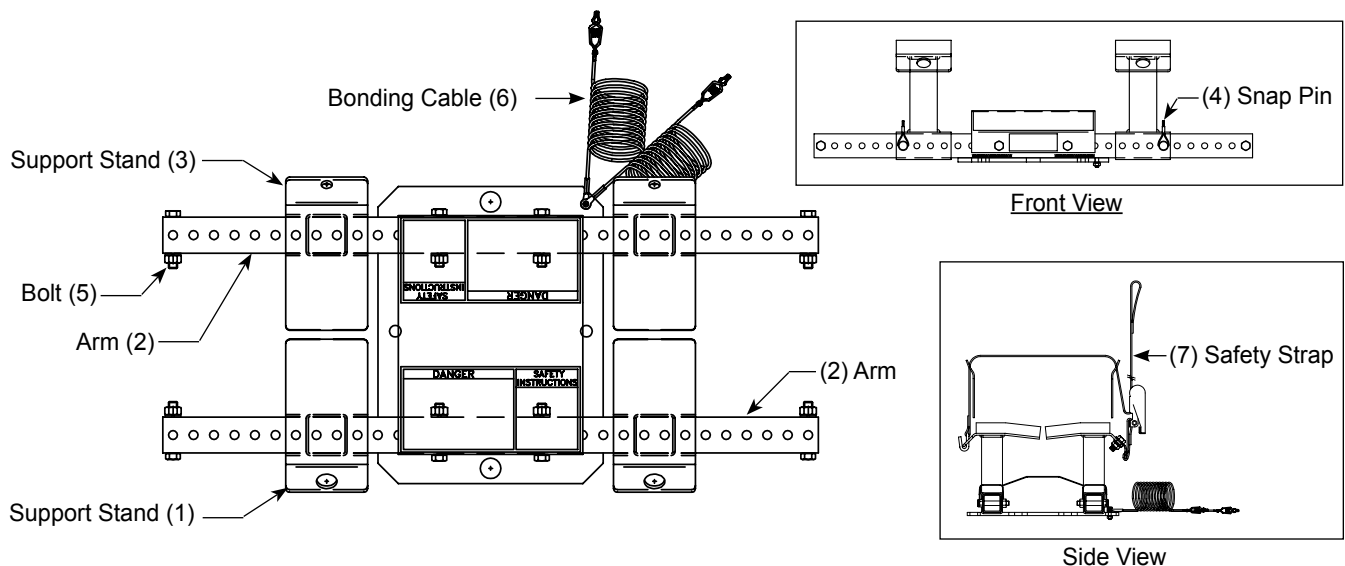




Figure 5 - Assembly instruction

## BEFORE USE

1. Verify that the product and the application are compatible.
2. Before using this product, read this fuel tank adapter manual, the transmission jack manual, and the vehicle service manual completely. Familiarize yourself thoroughly with the product, its components, and recognize the potential hazards associated with its use.
3. Locate and place a Class B fire extinguisher near the working area.
4. Affix the fuel tank adapter to transmission jack properly **before** removing or installing the fuel tank.
5. Bond the Fuel Tank Adapter to the transmission jack and to the fuel tank while grounding the transmission jack to earth before removing or installing the fuel tank. **Operator must be bonded to both the jack and tank!** If unsure how to provide proper grounding and bonding of personnel and equipment **STOP, discontinue use, and seek the advice of qualified personnel.**
6. Replace worn or damaged parts and assemblies with factory authorized replacement parts only.
7. Inspect before each use. Do not use if bent, broken or cracked components are noted.

**⚠ DANGER**



 **NO SMOKING!**

- **NEVER** use fuel tank handler near open flame, heat sources or spark inducing environments.
- **ALWAYS** have a Class B fire extinguisher available.
- Drain **ALL** fuel from the vehicle fuel tank into an approved and grounded fuel storage tank. **NEVER** drain or store fuel in an open container, near open flames, heat sources, or spark inducing environments.
- If the fuel tank is damaged during servicing, **STOP** and discard the fuel tank.
- **Use ONLY on METAL FUEL TANKS! Do not use on plastic fuel tanks!**
- **FAILURE TO HEED THESE WARNINGS COULD RESULT IN DEATH, PERSONAL INJURY, AND/OR PROPERTY DAMAGE!**

**⚠ WARNING**

- **Study, understand, and follow** all instructions provided with and on this device **before use**.
- Do not exceed rated capacity.
- **Use** the Fuel Tank Adapter **only with the Omega brand** adjustable ratchet style saddle.
- **ALWAYS** bond the fuel tank to the transmission jack and bond the transmission jack to the earth using the two bonding cables provided.
- **ALWAYS** center fuel tank on the four support pads.
- **ALWAYS** secure fuel tank to fuel tank adapter using the provided safety nylon straps.
- The fuel tank and the Fuel Tank Adapter must be completely lowered (transmission jack ram fully retracted) before transporting.
- Do not use adapters or accessories that are not provided initially. Only accessories supplied by the manufacturer can be used.
- Do not modify this device.
- **Failure to heed these markings may result in personal injury and/or property damage.**

**⚠** *Operator must be bonded to both the jack and tank! If unsure how to provide proper bonding of personnel and equipment **STOP, discontinue use, and seek the advice of qualified personnel.***

## BEFORE USE

1. Verify that the product and the application are compatible, if in doubt call Omega Tech. Service (888) 332-6419.
2. Before using this product, read the operator's manual completely and familiarize yourself thoroughly with the product and the hazards associated with its improper use.
3. Inspect before each use. Do not use if bent, broken or cracked components are noted.
4. Ensure that all parts move freely.

## OPERATION

### Removal of Fuel Tank (Refer to Figure 6)

1. Read and follow the fuel tank removal/installation procedures as stated in the vehicle service manual.
2. Drain the existing fuel into an approved and grounded fuel storage tank.
3. Raise the transmission jack to directly underneath the designated fuel tank, refer to your transmission jack owner/operator's manual for instructions on how to raise and lower the transmission jack.
4. Clip one bonding cable to the fuel tank.
5. Clip the other bonding cable to the transmission jack.
6. Ground the transmission jack to earth.

**⚠ Operator must be bonded to both the jack and tank! If unsure how to provide proper bonding of personnel and equipment **STOP, discontinue use**, and seek the advice of qualified personnel.**

7. Center the fuel tank on all four of the Fuel Tank Adapter padded supports. For adjustment,:
  - a. Open the latch of the safety snap pin and remove.
  - b. Slide the support stand to the desired location.
  - c. Re-insert safety snap pins through the holes in both the support stand and arm. Close the latch of snap pin.
  - d. Adjust the opposite support stand to match the previously repositioned support stand.
  - e. Ascertain that the load is centered with respect to the transmission jack.
8. Place the safety nylon straps around the fuel tank, and hook them to the holes on the on support pads (refer to Figure 6 and Figure 5 *side view*).
9. Securely tighten using the ratchet.

**Note:** To loosen the strap, pull the safety latch on the ratchet downward and rotate handle 180 degrees. When the strap has been fully opened, the strap may be pulled through the ratchet to take up excess slack.

10. Ascertain that the hooks stay in place while tightening with the ratchet.
11. Remove fuel tank according to the vehicle service manual.
12. Lower the transmission jack to its lowest position before transporting the fuel tank.

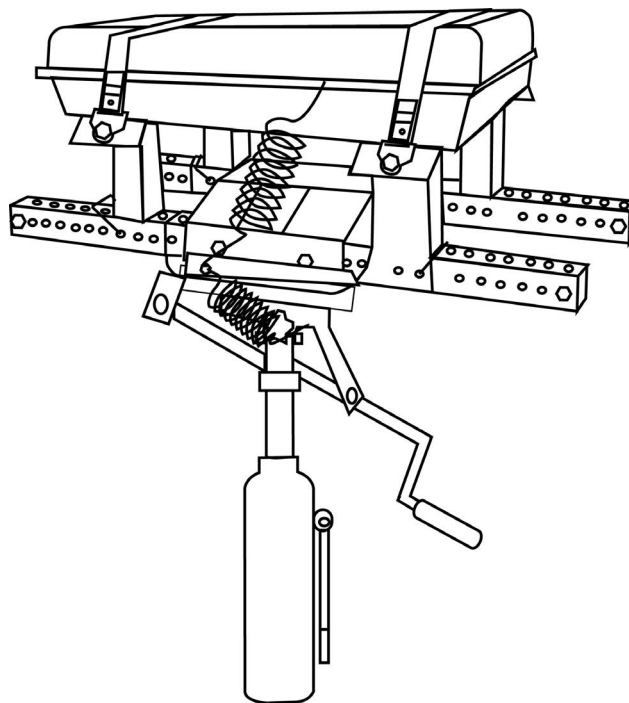


Figure 6

## MAINTENANCE

Inspections should be made before each use of the Fuel Tank Adapter, checking for abnormal conditions.

1. It is important to keep the product clean.
2. Periodically wipe the product with an oily cloth.
3. Inspect the product annually.

### Storage

Store the fuel tank adapter in a clean, dry area when not in use.

## TROUBLESHOOTING

Symptom	Possible Causes	Corrective Action
A vertical arm will not reposition	Bent parts	Contact Customer Service
The fuel tank does not maintain steadiness while on the adapter	Loose support pad	Contact Customer Service
The adapter is shaky or feels loose	Components are worn or loose	Check, replace, and tighten components and fasteners

## REPLACEMENT PARTS

Not all components of the Fuel Tank Adapter are replacement items, but are illustrated as a convenient reference of parts location. When ordering parts, give part number and parts description. Call or write for current pricing: SFA Companies 10939 N. Pomona Ave. Kansas City, MO 64153, U.S.A. Tel: (888) 332-6419 Fax: (816) 891-6599 E-Mail: sales@omegalift.com Omega Website: <http://www.omegalift.com>

Item	Part No.	Description	Qty.
1	247552	Safety Snap Pin	4
2	247554	Grounding Cable Assembly	2
3	247576	Foam Pad/ Foot Assembly (1" Hole)	2
4	247578	Safety Tension Strap	2
5	247754	Foam Pad/ Foot Assembly (1/2" Hole)	2
-	247760	Hardware Kit	1
-	40080-L0	Label	1
-	40080-M0	Manual	1

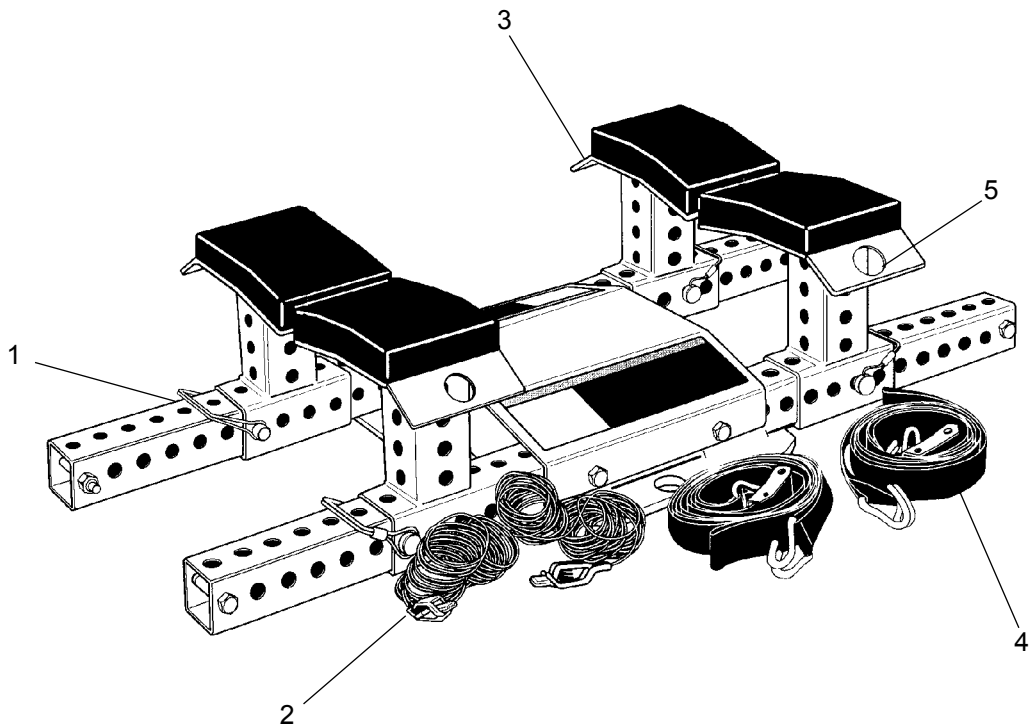


Figure 7 - Replacement Parts Illustration for 40080

## ONE YEAR LIMITED WARRANTY

For a period of one (1) year from date of purchase, SFA Companies will repair or replace, at its option, without charge, any of its products which fails due to a defect in material or workmanship under normal usage. This limited warranty is a consumer's exclusive remedy.

Performance of any obligation under this warranty may be obtained by returning the warranted product, freight prepaid, to SFA Companies Warranty Service Department, 10939 N. Pomona Ave., Kansas city, MO 64153 or to Omega Authorized dealer from which you purchased.

Except where such limitations and exclusions are specifically prohibited by applicable law. (1) THE CONSUMER'S SOLE AND EXCLUSIVE REMEDY SHALL BE THE REPAIR OR REPLACEMENT OF DEFECTIVE PRODUCTS AS DESCRIBED ABOVE. (2) SFA Companies SHALL NOT BE LIABLE FOR ANY CONSEQUENTIAL OR INCIDENTAL DAMAGE OR LOSS WHATSOEVER. (3) ANY IMPLIED WARRANTIES, INCLUDING WITHOUT LIMITATION THE IMPLIED WARRANTIES OF MERCHANTABILITY AND FITNESS FOR A PARTICULAR PURPOSE, SHALL BE LIMITED TO ONE YEAR, OTHERWISE THE REPAIR, REPLACEMENT OR REFUND AS PROVIDED UNDER THIS EXPRESS LIMITED WARRANTY IS THE EXCLUSIVE REMEDY OF THE CONSUMER, AND IS PROVIDED IN LIEU OF ALL OTHER WARRANTIES, EXPRESS OR IMPLIED. (4) ANY MODIFICATION, ALTERATION, ABUSE, UNAUTHORIZED SERVICE OR ORNAMENTAL DESIGN VOIDS THIS WARRANTY AND IS NOT COVERED BY THIS WARRANTY.

Some states do not allow limitations on how long an implied warranty lasts, so the above limitation may not apply to you. Some states do not allow the exclusion or limitation of incidental or consequential damages, so the above limitation or exclusion may not apply to you. This warranty gives you specific legal rights, and you may also have other rights which vary from state to state.



SFA Companies  
10939 N. Pomona Ave. Kansas City, MO 64153  
888-332-6419  
sales@omegalift.com